

TP-100-VGA

10.1" 16:10 WXGA P-Cap Multi-Touch Teach Pendant, VGA Input



Main Features

- Modern, ergonomic, user-friendly and operated comfortably
- Multi channels deadman switch and E-Stop button
- Full IP65 protectione
- 10.1" WXGA 1280 x 800 500 nits LED panel
- 10 points projected capacitive touch with Full IP65 protection
- Two external USB 2.0 for data backup
- An emergency-stop button is available as further safety element
- Anti-vibration/shock IEC/EN 61131-2 compliance
- EMC (IEC/EN 61000-6-2/4, IEC/EN 61131-2) compliance
- System frame ground protection (GPE) design

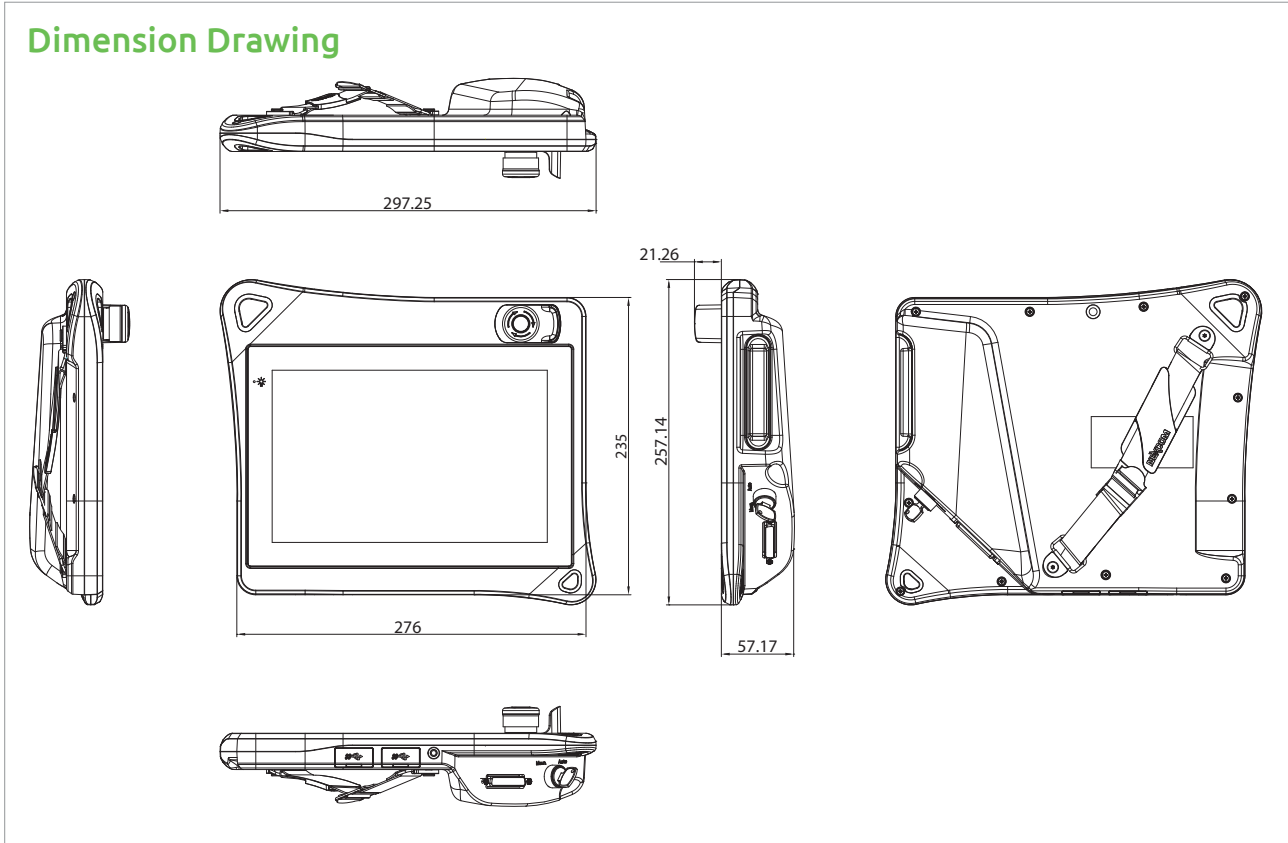
Product Overview

TP-100-VGA is handheld operating teach pendant features an ergonomic housing with a safety elements, 10.1" WXGA resolution Panel and Multi-Touch P-Cap. The handheld control unit is greatest comfortable to used and also support left-hander with optional shoulder Strap.

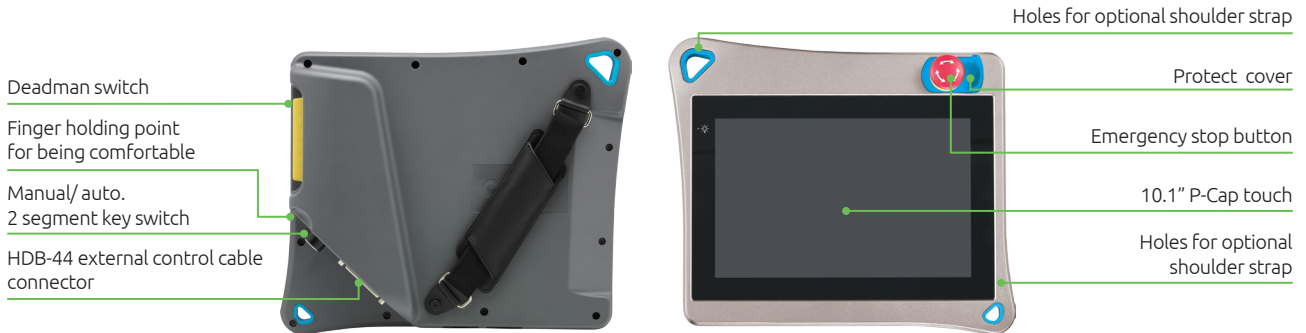
Specifications

Technical Data	TP-100-VGA	Technical Data	TP-100-VGA
Panel	<ul style="list-style-type: none"> - 10.1", 16:10, WXGA, 1280 x 800 - Luminance: 500 cd/m² - Contrast ratio: 800:1 - LCD color: 16.7M - Viewing angle: 85 (U), 85 (D), 85 (L), 85 (R) - Backlight: LED 	Interface	<ul style="list-style-type: none"> - Data back-up: 2 x USB 2.0 - Controle connector: HDB-44 female <ul style="list-style-type: none"> › Removable HDB-44 control cable (optional) › Including power, E-stop buttons, deadman switch, key switch, USB 2.0 and VGA signals
Touch	<ul style="list-style-type: none"> - Touch: 10 points P-Cap - Touch light transmission: 87% - Touch interface: USB - Anti-scratch surface: 7H hardness 	Ratings	<ul style="list-style-type: none"> - Power supply voltage: 24 Vdc (19.2 to 28.8 Vdc) - Current consumption: <ul style="list-style-type: none"> › TP-100-VGA 0.625A at 24Vdc (max.)
Safety Elements	<ul style="list-style-type: none"> - Emergency stop button (2 NC channels, B10d=130,000) <ul style="list-style-type: none"> › Contact function: latching › Reset: by rotating - 3-position Deadman switch (3 channels 2 NO & 1 NC, B10d=100,000) 	Mechanical	<ul style="list-style-type: none"> - Dimension: 297.3 x 257.2 x 57.2 mm (78.5mm including E-stop button) - Weight (without external control cable): <ul style="list-style-type: none"> › TP100-VGA 1.5Kg - Front bezel: aluminum magnesium alloy; color: Pantone 8424C - Back cover: ABS+PC; color: Pantone 432C - IP protection class: Full IP65
Operating Elements	<ul style="list-style-type: none"> - 2-position key switch (2 channels) 	Environment	<ul style="list-style-type: none"> - Operatng temperature: 0°C to 50°C - Storage temperature: -20°C to 75°C - Operating humidity: 5%~90% relative humidity, non-condensing - Vibration resistance/shock-proof/free-fall according to EN 61131-2
System	<ul style="list-style-type: none"> - TP-100-VGA: VGA input - USB2.0 upstream 	Certifications	<ul style="list-style-type: none"> - CE (Emission EN61000-6-4; Immunity EN61000-6-2 for installation in industrial environments) - FCC Class A

Dimension Drawing



Function and Ergonomic Design



HDB-44 Pin Definition

44-Pin	Function	44-Pin	Function	44-Pin	Function	44-Pin	Function
1	Shielding	12	DS_NO_2-A	23	VGA_BLUE_GND	34	Shielding
2	DC Power+	13	DS_NO_2-B	24	VGA_VSYNC	35	VGA_RED
3	DC Power-	14	DS_NC_3-A	25	VGA_DDCDAT	36	VGA_GREEN
4	ES_NC_1-A	15	DS_NC_3-B	26	VGA_5V	37	VGA_BLUE
5	ES_NC_1-B	16	KS_NC_1-A	27	USB_5V	38	VGA_HSYNC
6	ES_NC_2-A	17	KS_NC_1-B	28	USB-	39	VGA_DDCCLK
7	ES_NC_2-B	18	KS_NC_2-A	29	USB3_RXN	40	VGA_GND
8	RESERVED	19	KS_NC_2-B	30	USB3_TXN	41	USB_GND
9	RESERVED	20	RESERVED	31	RESERVED	42	USB+
10	DS_NO_1-A	21	VGA_RED_GND	32	RESERVED	43	USB3_RXP
11	DS_NO_1-B	22	VGA_GREEN_GND	33	Shielding	44	USB3_TXP

Ordering Information

Barebone

- ♦ **TP-100-VGA (P/N: 10IH0010001X0)**
10.1" 16:10 WXGA P-Cap multi-touch teach pendant display, VGA input